



A U R O R A

ZERO CLEARANCE OUTDOOR GAS FIREPLACE

TRIM OPTIONS

BLACK

STAINLESS

STYLING



SPLIT OAK LOG SET



ROCK COLLECTION

BRICK LINERS



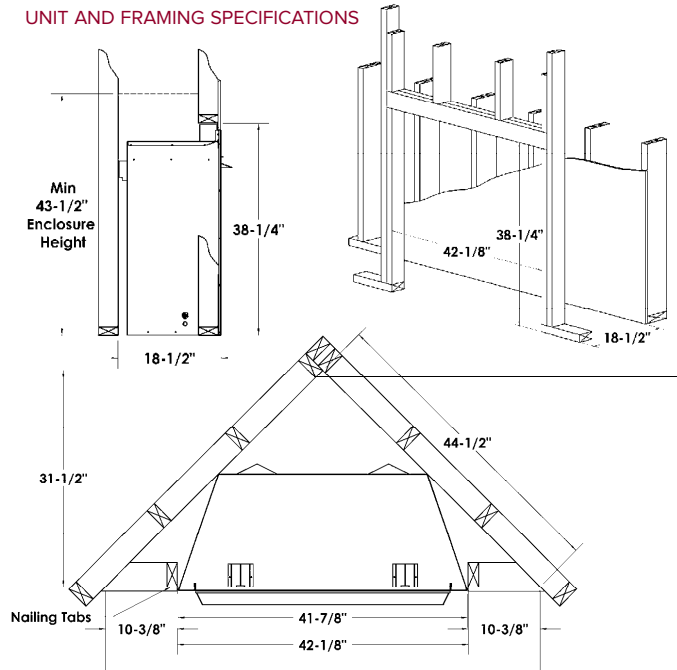
DECORATIVE EMBER GLASS

LIGHT UP YOUR NIGHTS WITH **AURORA**

Nights will never be the same with the new Aurora by Marquis. Designed for your outdoor oasis, this fireplace captures your attention with its Satin Coat Black or Stainless Steel Finish and your choice of a contemporary rock collection or log set. Looks like the stars in the sky now have a little competition.

Model	OFP42N-BLACK OFP42NS-STAINLESS	OFP42LP-BLACK OFP42LPS-STAINLESS
Fuel	Natural	Propane
Input Max.	55,000 BTU	55,000 BTU
Input Min.	38,000 BTU	44,000 BTU

UNIT AND FRAMING SPECIFICATIONS



Unit illustrated is a OFP42NS Outdoor Fireplace in Stainless Steel – Natural Gas, LOGF37 Split Oak Log Set, OFP42RLT Traditional Brick Liner.

STANDARD FEATURES

- > Hi/lo Millivolt valve with variable adjustment of flame and BTU
- > A flame sensor that constantly monitors the pilot flame and provides 100% gas shut off if pilot is not sensed
- > Stainless steel pull screen
- > Lava rock

OPTIONAL FEATURES

Refractory Liner – Traditional and Herringbone

Surround – Stainless steel

Remote Control – On/Off

Weather Cover – Stainless steel or black

Spark Assist – Battery operated pilot burner ignitor



SCREENED PORCH INSTALLATION GUIDELINES

- > Porch Area - 96 sq. ft.
- > Ceiling Height - 92"
- > A minimum of two walls can be screened but must be open to outside ventilation.

Top of screen height - 78" Screen Area - 64 sq. ft

Refer to installation manual for additional details of framing specifications and clearances.

Kingsman Fireplaces maintains a program of continuous testing refinement and improvements of all its products. Some aspect of units shown here may be changed at any time without notice or obligation.

Certification: These models are certified for USA and Canada as an Outdoor Gas Fireplace. CSA 4.96 US 2nd Edition, CGA CR97-003, CGA 2.17-M91.

