

# BRENTWOOD

**GAS INSERT**  
FOR MEDIUM TO LARGE SPACES

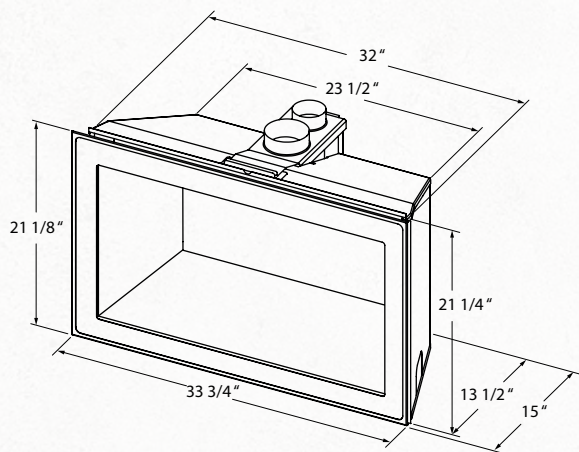
Natural Gas

## 30,000 BTU

26,000 BTU Liquid Propane

P.4 EFFICIENCY NG	74.4%
P.4 EFFICIENCY LP	76.6%
AFUE	76%
GLASS SIZE	430 SQ.IN.

Room for more? The Brentwood fireplace insert makes a great choice when you need to heat a larger space. Offering a large window of flames and high performance energy efficiency, the Brentwood makes a striking effect with a two-layer surround subtly lending the fire into the room. Choose an all black surround combination or accent the fireplace wall with a layer of stainless steel.



For reference only. Installations should be based on installation manuals. Specifications subject to change.

### STANDARD FEATURES

- Direct vent technology
- SIT Pro Flame 2 valve
- High-efficiency heat exchanger with aluminum fins
- Integrated micro-mesh safety screen
- Standard remote control
- Variable-speed blower

### DESIGN OPTIONS

- Design-A-Fire
- Surrounds available in Metallic Black, or Metallic Black with Stainless Steel accent
- Interior: brick, stone or porcelain enamel
- Burner: logset or glass (with or without river rock)
- Regular Surround 45 7/8" (W) x 30" (H)
- Oversize Surround 53 7/8" (W) x 34" (H)

 **DESIGN**

 **EFFICIENCY**

 **SAFETY**

 **DESIGN-A-FIRE**  
A SYSTEM BY PACIFIC ENERGY