



Outdoor spaces, meet the big, bold flames of Town & Country

Outdoor living has never been so luxurious.

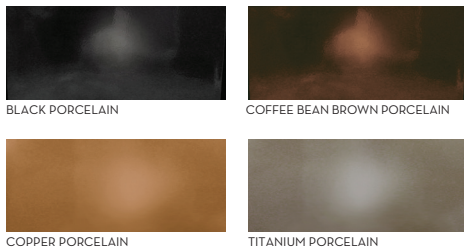
Town & Country sets the benchmark fireplace design. Built to face the elements, the Wide Screen 54 Outdoor gas fireplace can withstand temperatures up to -40C while disappearing ceramic glass ensures Town & Country's signature bold flames are always protected from wind.

PRODUCT FEATURES

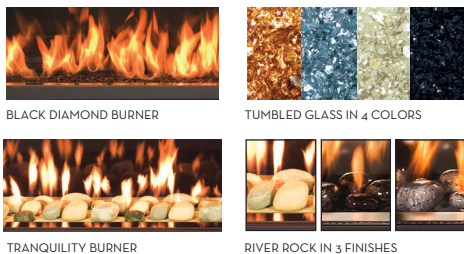
- Town & Country's Signature bold Flames
- Create your perfect fire inside the firebox with Design-A-Fire
- Overhead LED Interior Lighting
- Stainless Steel frame around disappearing ceramic glass
- Minimum 24" of vertical venting required
- Heavy duty valve system designed for cold climates (up to -40F)
- Superior materials and construction
- Natural gas or propane
- Direct Vent only
- All Outdoor Models Require C Series Burner Kits

Please note: Due to elevation and fuel type, flame characteristics may not be exactly as shown.

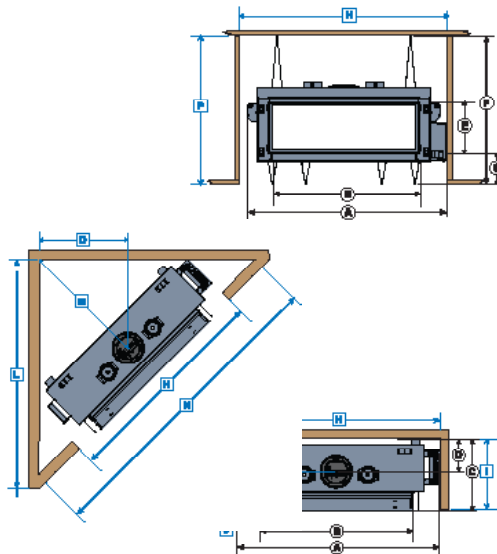
FIREBOX PANEL OPTIONS



BURNER OPTIONS



DIMENSIONS (SERIES C)



WS540D	inch	cm	
APPLIANCE DIMENSIONS	A	74 13/16	190.0
	B	54 7/16	138.3
	C	22 5/8 – 23 1/4	57.5 – 59.1
	D	11 5/16	28.8
	E	18 5/8	47.4
	F	55	139.7
	G	11 9/16	29.3
MINIMUM COMBUSTIBLE FRAMING DIMENSIONS	H	74 3/8	188.9
	I	22 1/4	56.5
	J	7/16	1.1
	K	11 5/16	28.8
	L	81 11/16	207.5
	M	44 5/8	113.3
	N	115 9/16	293.5
	O	31 9/16	80.2
	P	55 5/16	140.4