

# SUMMIT

## SUMMIT CLASSIC

### FREESTANDING STOVE FOR LARGE SPACES

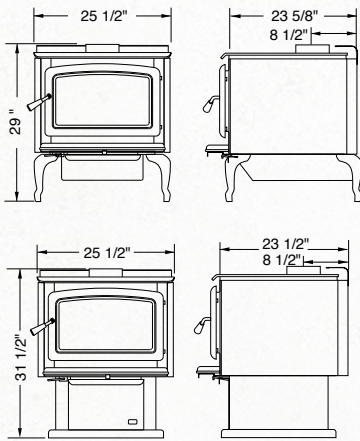
Heat Output Cord Wood

# 99,000 BTU

38,500 BTU EPA Test Fuel

EFFICIENCY (LHV)	80.4%
EMISSIONS	3.5 GM/HR.
LOG SIZE (MAX)	18-20 INCHES
FIREBOX SIZE	3.0 CU.FT.
GLASS SIZE	166 SQ.IN.
WEIGHT	APPROX. 435 LB.

When you need the heating power to keep a large homes warm and comfortable through long winter nights, choose Summit. Crafted for maximum heating capacity with Extended Burn Technology (EBT) for the longest burn time, the Summit, and the Summit Classic in a beautiful, durable porcelain finish, are the wood stoves of choice for bigger spaces and colder nights. Choose a pedestal mount or a variety of leg finishes. Choose the door style and finish. The Summit will welcome you in the morning with a warm, glowing fire.



SUMMIT



SUMMIT CLASSIC

#### FEATURES

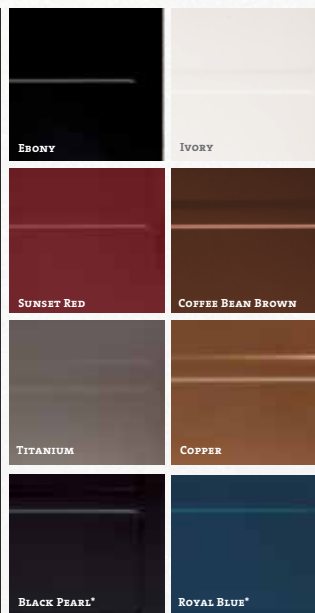
- Reliable Non-Catalytic Technology
- Extended Burn Technology (EBT2)
- Easy one-touch operation
- Airwash Technology for clear, clean glass
- Multi-Port combustion air injection system
- Inside and outside combustion air capable
- Floating firebox for extended stove life
- Safe, easy front-to-back fuel loading
- Heavy plate-steel top
- 304 Stainless Steel Baffle, insulation cover, rails and flame shield
- Boost air for easy lighting
- Mobile home approved
- North-South loading

#### DESIGN OPTIONS

- SUMMIT**
  - Legs: choice of four finishes
  - Pedestal base
  - Arched door: choice of four finishes
  - Metallic black finish
- SUMMIT CLASSIC**
  - Legs: choice of four finishes
  - Arched door: choice of four finishes
  - Porcelain enamel: choice of eight colors
  - Decorative trivet: choice of three finishes

#### PERFORMANCE OPTIONS

- 140 cfm. Temperature-Actuated Variable-Speed Blower
- Easy-to-use ash disposal system (optional on Summit; included with Summit Classic)
- Screen Door



For reference only. Installations should be based on installation manuals. Specifications subject to change.