

stûv

A STATE OF MIND

Stûv Stories +wood fires

Innovative
techniques for a
designer look that
really works

stuvamerica.com

Stûv Stories

Welcome to the world of Stûv! Our products provide ways to layout and rearrange your interior. The story that they tell is straightforward and warm, simple and efficient. A story where appearance is functional and where objects blend into the architecture. Quality and perfection are the watchwords at Stûv. To improve is to simplify. This means humanising design. It also means constant innovation until a perfect harmony is found between pleasure and respect for the environment. Stûv is a state of mind.



P. 4 +Stûv 16

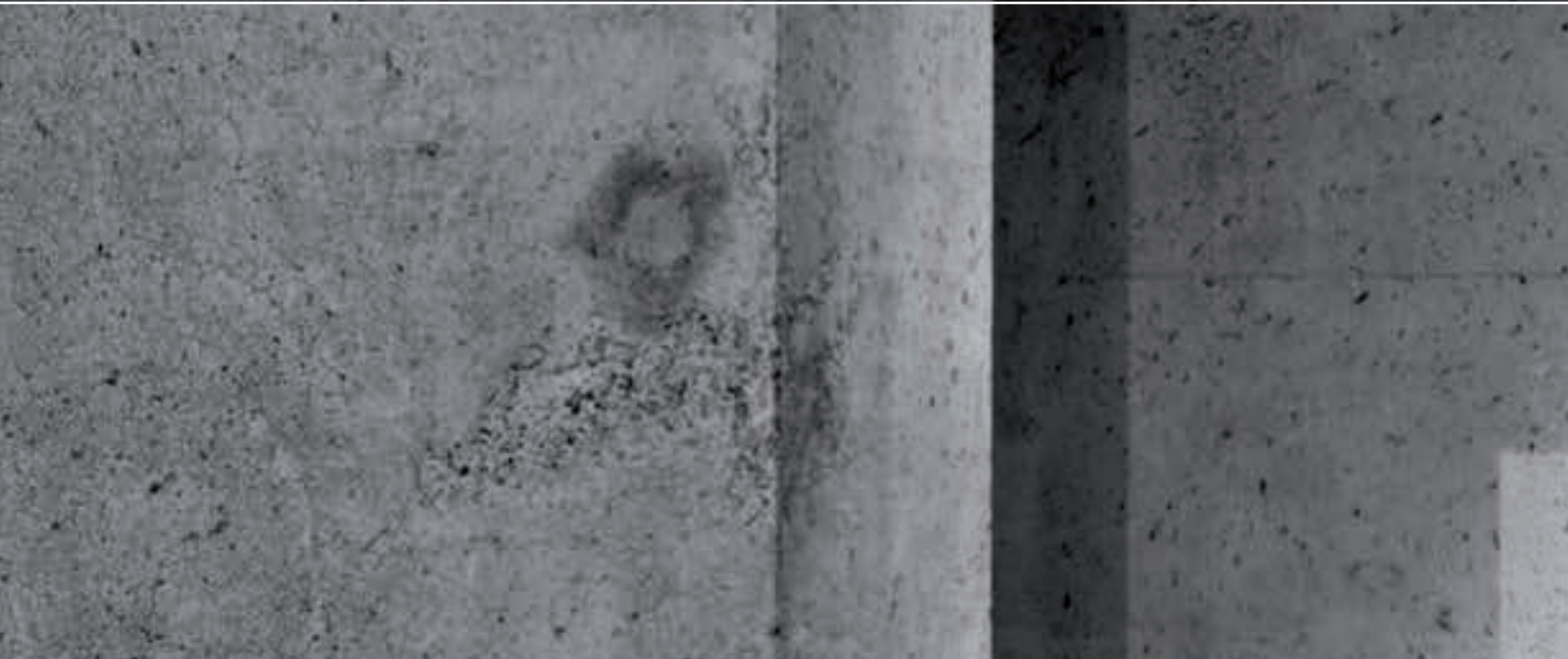


P. 24 +Stûv 21



P. 50 +Stûv 30





clean
lines
pure energy

 Stûv Stories

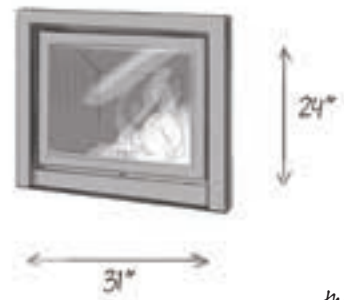


Stûv Stories **+Stûv 16-family**

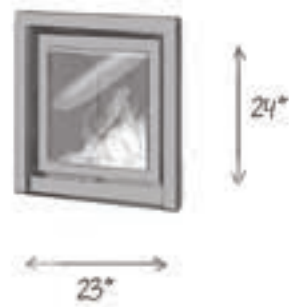
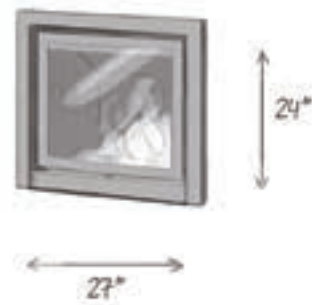
Innovative products
and a wide range of
heating solutions



The Stûv 16 family is totally unique, with its clean lines showcasing the flames to perfection. Ultra-enhanced combustion techniques guarantee fantastic performance. The endless possibilities that they offer mean that there is one perfect solution for every home. Stûv fires are easy to install, and particularly well suited to low-energy houses. Welcome home! Stûv 16... An innovative, out-of-the-ordinary range.



the dimensions are valid for all models



Stiv 16-in

Stûv Stories +Stûv 16-family... A large family that comes in a range of sizes!

The products are available in three widths:

- + Wide model (Stûv 16/78) 31" wide
- + Medium model (Stûv 16/68) 27" wide
- + Narrow model (Stûv 16/58) 23" wide



Stûv 16-cube

Stûv 16-H

- + Make the most of the sight of the flames and bask in their warmth!
- + Hinged door
- + Great view of the fire
- + Option of an external air connection available for all Stûv 16 models





Stûv Stories +Stûv 16

Technical expertise
and attention to detail

Stûv Stories **+Stûv 16-cube**

- + Can be laid on a Stûv base, a traditional base, or a piece of furniture
- + Comes in three sizes
- + Ability to be connected to the outside air

When performance
rises to the flames



Stuv 16-/68-cube with Stuv StuvGrey drawer bases



Functional,
sophisticated
and elegant

Stûv Stories +Stûv 16 base



- + Modular
- + Storage drawer
- + Compatible with the external air connection
- + Movable log storage
- + Wide range of colours



Model shown: Stûv 16/78-H

Stûv Stories +Stûv 16-H

Fire in its purest
form and logs always
within reach

- + Model with log store
- + Comes in three sizes
- + Ability to be connected to the outside air

- + Insert model
- + Comes in three sizes
- + Ability to be connected to the outside air



Model shown : Stûv 16/78-in

Stûv Stories +Stûv 16-in

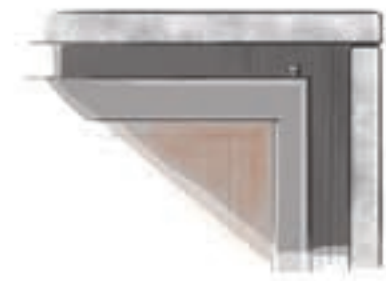
Fancy an XXL fire? This is exactly what you'll get with the Stûv 16-in, with its panoramic view of the flames. Atmosphere and satisfaction guaranteed. Thanks to the innovative combustion system and exceptional output (over 75%), this is the perfect solution for your main or occasional heating needs. Designed to suit an existing fire, the Stûv 16-in is available in three sizes. Every home needs a Stûv!



Thin frame to disguise the thickness of the masonry



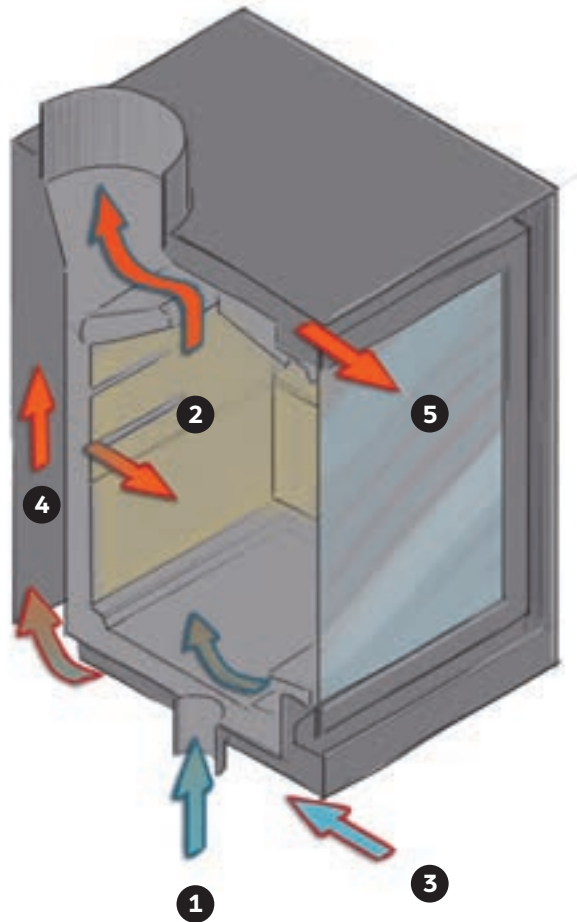
Picture type frame to hide the edges of the alcove



Frame can be customised with the decorative extras of your choice

A combination of
performance, ingenuity
and design





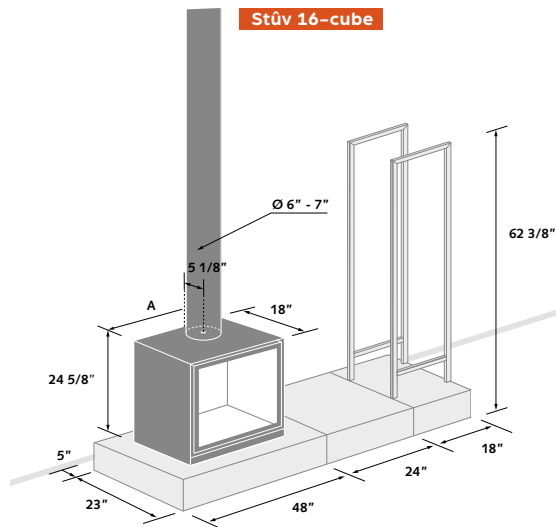
Combustion technique and air circulation Stuv 16

- 1 Combustion air.
Illustration with direct air intake under the stove.
- 2 Combustion.
The air intake, the combustion chamber and smoke exhaust form an airtight system.
- 3 The air is taken into the room then heated by the stove.
- 4 The hot air is exchanged with the convection air which flows along the combustion chamber.
- 5 Hot air is circulated in the room by natural convection.

Stûv 16 technical specifications

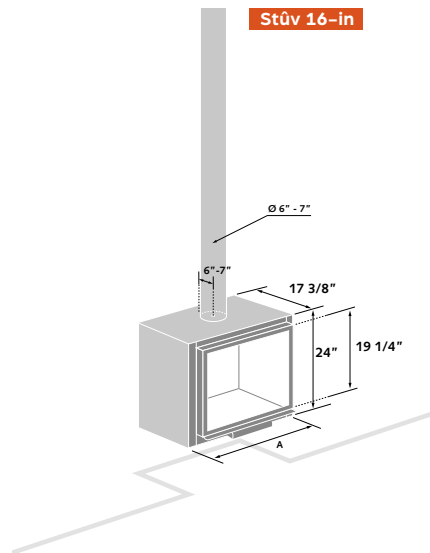
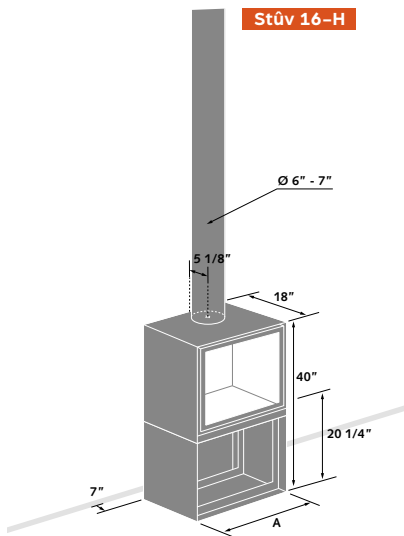


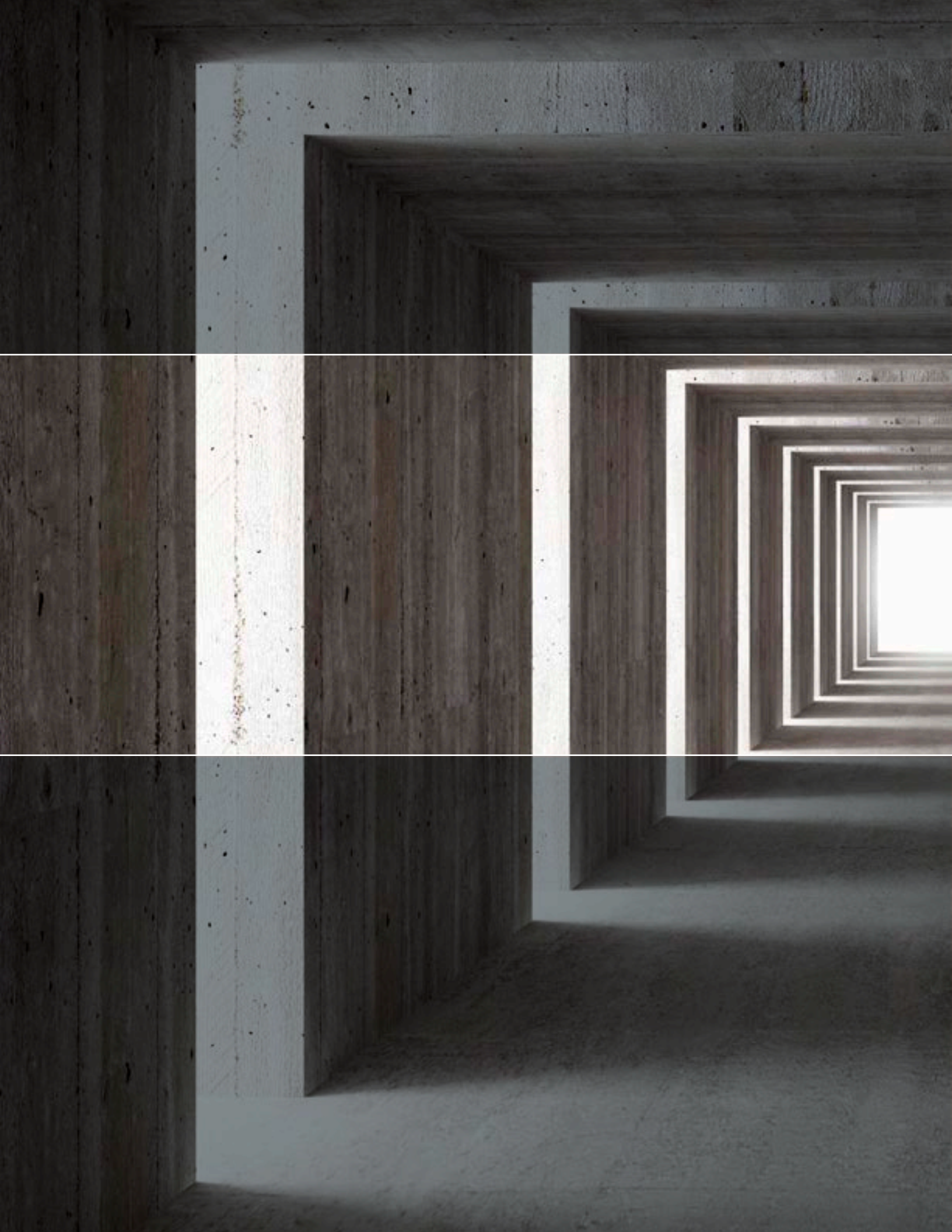
	16/58-cube	16/68-cube	16/78-cube	16/58-H
weight	232Lb	249Lb	267Lb	300Lb
maximum output	40.000 BTU	43.000 BTU	46.000 BTU	40.000 BTU
efficiency	≥75%			
length of logs	17"	21"	25"	17"
north american standards	EPA NSPS phase I, UL-1482, ULC-S627			
(A) width	23"	27"	31"	23"
glass width	17 1/2"	21 3/8"	25 1/4"	17 1/2"
glass height	16 3/8"	16 3/8"	16 3/8"	16 3/8"





16/68-H	16/78-H	16/58-in	16/68-in	16/78-in
324Lb	348Lb	201Lb	225Lb	247Lb
43.000 BTU	46.000 BTU	40.000 BTU	43.000 BTU	46.000 BTU
≥75%				
21"	25"	17"	21"	25"
EPA NSPS phase I, UL-1482, ULC-S627				
27"	31"	23"	27"	31"
21 3/8"	25 1/4"	17 1/2"	21 3/8"	25 1/4"
16 3/8"	16 3/8"	16 3/8"	16 3/8"	16 3/8"







the perfect
marriage between
sobriety
and atmosphere

 Stûv Stories

Stûv Stories +Stûv 21

- + Retractable glass
- + Great view of the fire
- + Clean and sober design
- + Ability to be connected to the outside air





Stûv Stories +Stûv 21

By professionals,
for fire lovers

Stûv Stories +Stûv 21-family

A family of products
both open and closed



The Stûv 21 range is a typical family. Sober and discrete, with a focus on the purity and beauty of the fire. A fire which is open and closed at the same time thanks to the window which can be opened partially or fully. The Stûv 21 is available in a single-face or double-face model and in a number of different sizes. The frames, front façades and claddings complement the fire to ensure a perfect finish and enhancement.

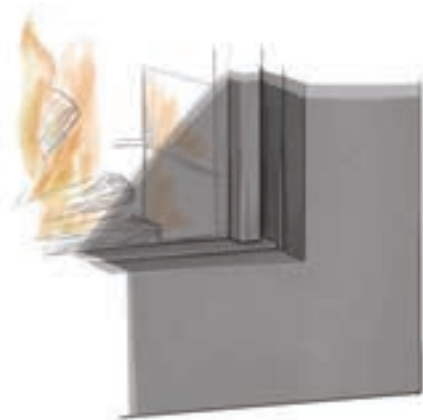


Stûv Stories +Stûv 21-65-H



Model shown: Stûv 21-65H with picture type frame

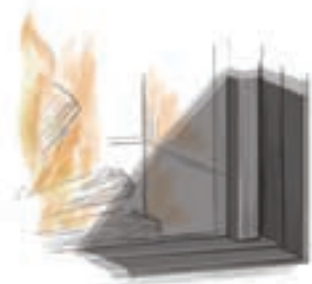
Choose a suitable frame



Stäv SF4: large frame available in many different colours. Also available in customised sizes.



Picture type frame in StävGrey steel



Thin frame in StävGrey steel



Modell shown : Stûv 21-75 without frame

Stûv Stories +Stûv 21-75

Enjoy your fire the
way you want it

Stûv Stories +Stûv 21-85



A stylish fire...



model shown : Stuv 21-85 with SF2 white façade

Sober, it blends
perfectly into any interior



Stûv Stories +Stûv 21-95



Integration of fire into the architecture





Stûv Stories +Stûv 21-105 SF8



- + Front panel made of steel
- + Perfect harmony with the fire
- + Available made-to-measure

Stûv Stories +Stûv 21-125



Stûv Stories +Stûv 21-75DF



Double face:
glass door retractable
on both sides

Stûv Stories +Stûv 21-85DF

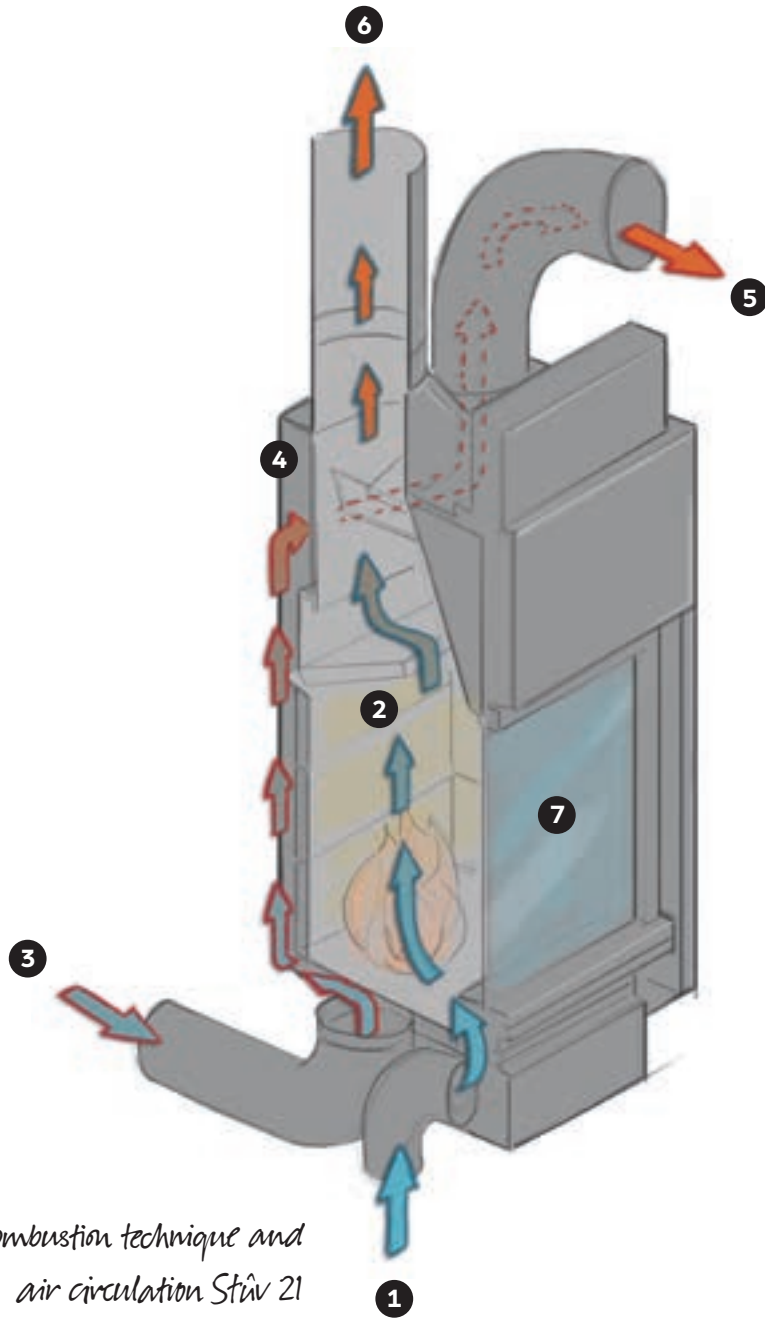


Stûv Stories +Stûv 21-95DF



Stûv Stories +Stûv 21-125DF





*Combustion technique and
air circulation Stûv 21*

- 1 Combustion air.
Illustration with direct air intake under the stove.
- 2 Combustion.
The air intake, the combustion chamber and smoke exhaust form an airtight system.
- 3 The air is taken into the room then heated by the stove.
- 4 The hot air is exchanged with the convection air which flows along the combustion chamber.
- 5 Heated air is spread throughout the room thanks to natural convection.
- 6 Burnt gases are released via the flue. Illustration with vertical discharge.
- 7 The window cleaning system involves an air supply that takes flue gasses away from the glass. This means that you can have flickering flames at all times.

Stûv Stories +Ready-to-fit fireplaces

- + As easy to instal as a stove
- + Anthracite, white or rust finishing
- + Direct inlet of exterior air
- + Integrated log storage
- + Visual effect of a built-in fireplace



Stûv 21-85 SF2 rust



Stûv 21-85 SF2 air white



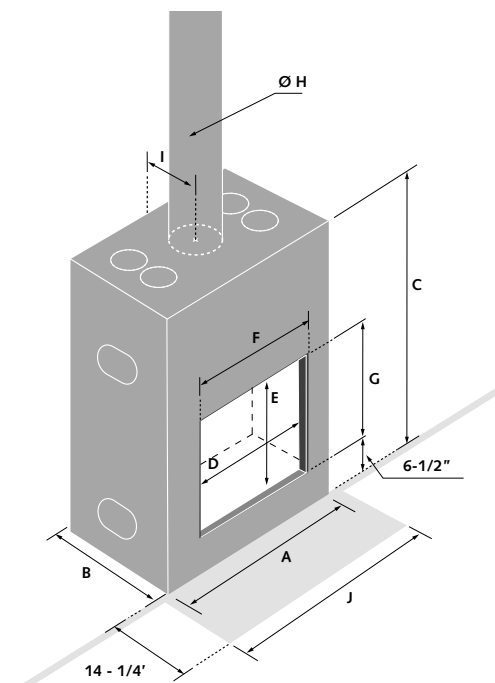
Stův 21-85 DF7 white

Stûv 21

technical specifications

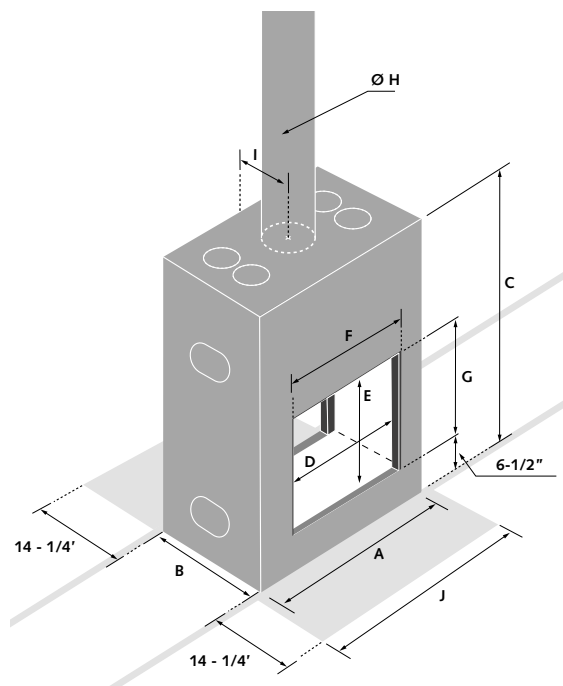


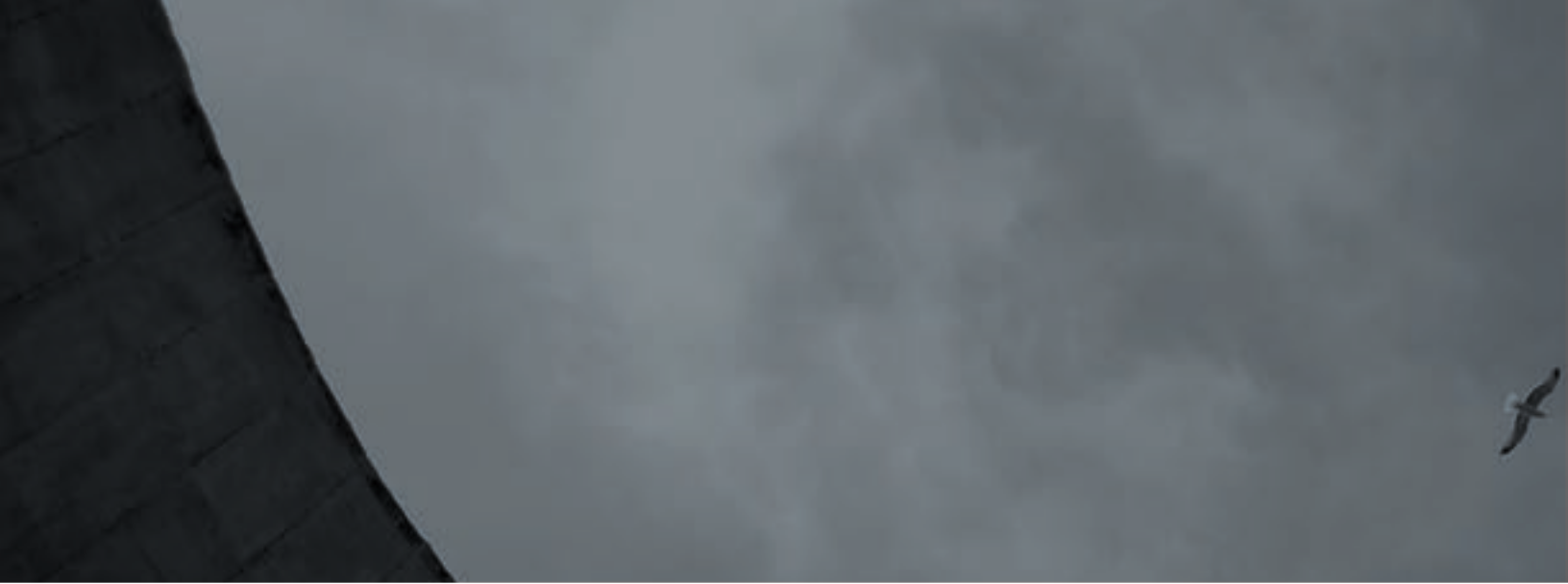
	21/65-H SF*	21/75 SF*	21/75 DF	21/85 SF
weight of the unit	434 Lb	400Lb	411Lb	514 Lb
length of logs	18"	22"	22"	26"
combustion air requirements	4-6"	4-6"	6"	4-6"
patent	144554	144554	144554	144554
fire screen	option	option	option	option
north american standards	EPA exempt, UI-127, ULC-S610-M93			
(A) width	31 7/8"	35 3/4"	35 3/4"	39 3/4"
(B) depth	24"	24"	29 5/8"	25 7/8"
(C) height	64"	55"	55"	59 1/8"
(D) glass door width	18 1/2"	22 1/2"	22 1/2"	26 3/8"
(E) glass door height	24 1/8"	17 7/8"	17 7/8"	21"
(F) opening width	23"	27"	27"	30 7/8"
(G) opening height	26 7/8"	20 5/8"	20 5/8"	23 3/4"
(H) chimney diameter UL-103HT, ULC S629	8"	8"	10"	8"
(I) chimney position	10 7/8"	10 1/2"	13 1/4"	11 1/2"
(J) floor plate width	34 1/4"	38 1/8"	38 1/8"	42 1/8"





21/85 DF	21/95 SF	21/95 DF	21/105 SF	21/125 SF	21/125 DF
519 Lb	642 Lb	653 Lb	492 Lb	671 Lb	682 Lb
26"	30"	30"	34"	42"	42"
6"	6"	6"	4-6"	6"	6"
144554	144554	144554	144554	144554	144554
option	option	option	option	option	option
EPA exempt, UI-127, ULC-S610-M93					
39 3/4"	43 5/8"	43 5/8"	47 5/8"	55 1/2"	55 1/2"
29 5/8"	27 7/8"	29 5/8"	24 1/8"	26 3/4"	29 5/8"
59 1/8"	64 1/2"	64 1/2"	56 1/8"	59"	59"
26 3/8"	30 3/8"	30 3/8"	34 1/4"	42 1/8"	42 1/8"
21"	24 1/8"	24 1/8"	15 3/4"	21"	21"
30 7/8"	34 7/8"	34 7/8"	38 3/4"	46 5/8"	46 5/8"
23 3/4"	26 7/8"	26 7/8"	18 1/2"	23 3/4"	23 3/4"
10"	10"	12"	8"	10"	12"
13 1/4"	11 7/8"	13 1/4"	11 1/2"	11 7/8"	13 1/4"
42 1/8"	46"	46"	50"	57 7/8"	57 7/8"



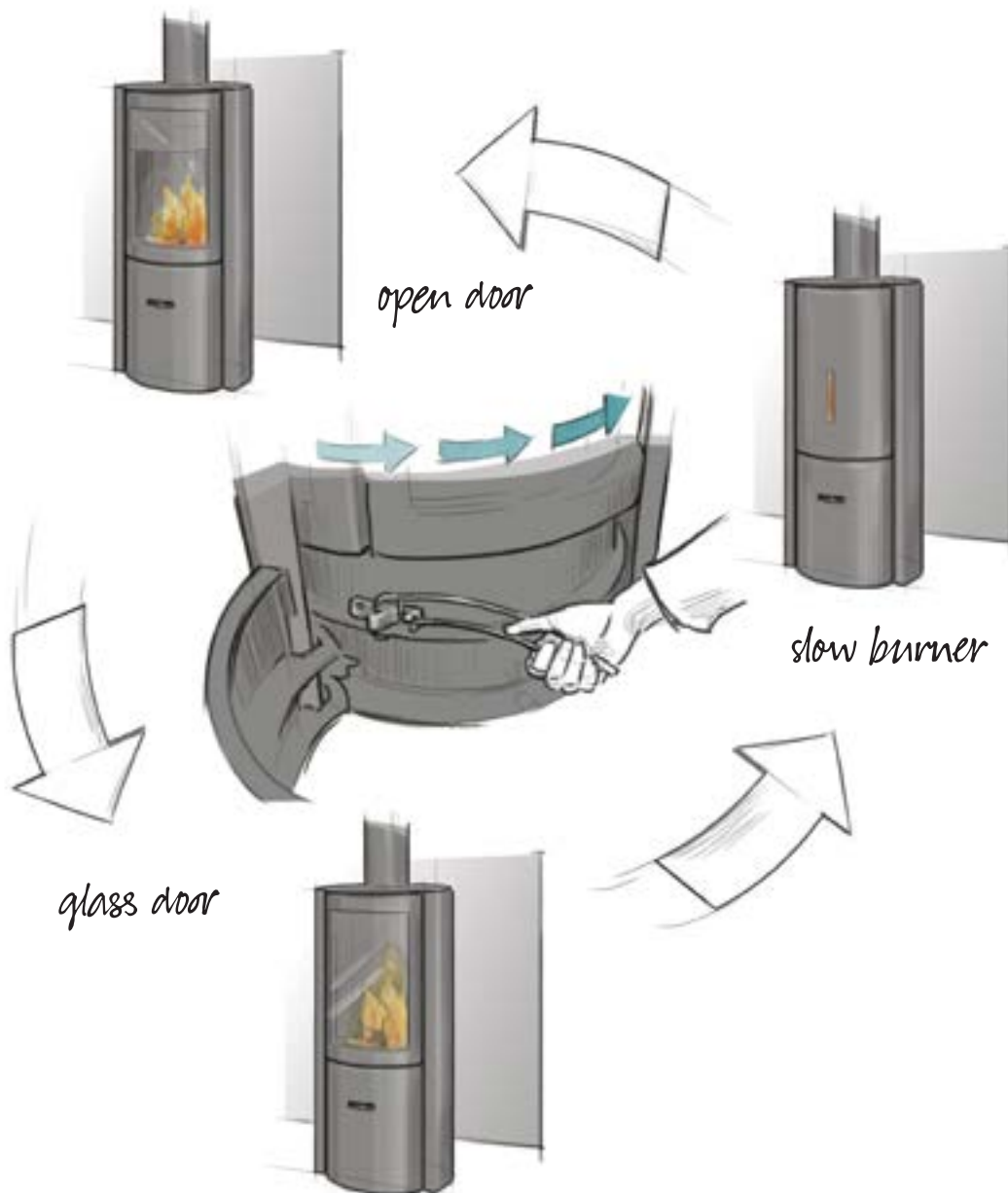


the beauty of functional design

 Stûv Stories

Three doors, three moods

Changing mode takes only a few seconds: all that has to be done is to rotate the drum of your Stûv 30 until the required door is located in front of the stove's opening. The glass door gives a great view of the flames, making sure that the stove is safe and eco-friendly while saving you money, thanks to its excellent performance. The full door slows the fire down and optimises performance. Open-fire mode allows you to get the full benefit of the crackling flames, the smell of the wood ... and even a barbecue!



Stûv Stories +Stûv 30 – The luxury of choice

- + Glass door: watch the flames in complete safety
- + Slow burner: optimise performance
- + Open door: enjoy the complete authenticity of the fire



glass door



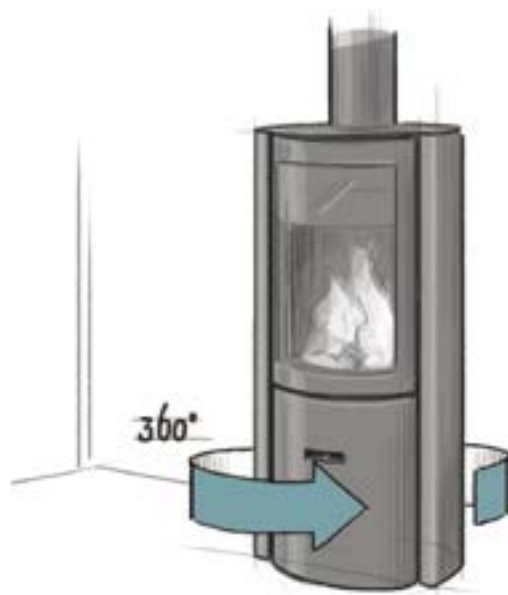
slow burner



open door

Enjoy 360% of benefits

In order to take maximum advantage of the enveloping heat and the unrestricted view of the flames, the Stûv 30 can be installed on an invisible swivel base. So, for example, you can direct the stove toward the lounge, and then towards the dining room.





Stûv Stories +Stûv 30, 30 compact, 30 compact H

Technical expertise
and attention to detail

Stûv Stories +Stûv 30 family

Versatility,
adaptability
subtlety





There is always a Stûv 30 which is a perfect match for what you're looking for. As a bonus, you get an unrestricted view of the fire and high performance, thanks to an advanced combustion system

Stûv Stories +Stûv 30-compact

Revolutionary...
three functions
and intelligent
management of
combustion air

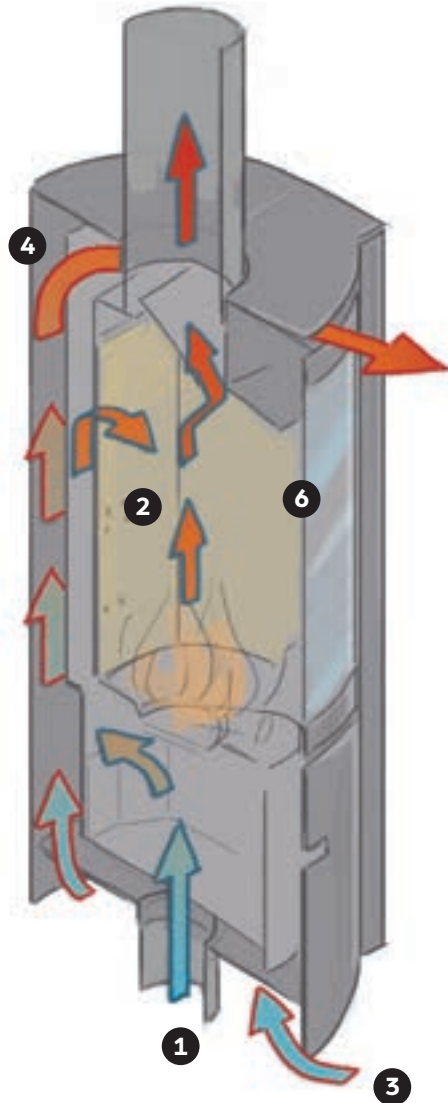
- + Three modes of operation
- + Ability to be connected to the outside air
- + Revolving base integrated
- + Option: floor plate



Stûv Stories +Stûv 30-compact

A new era,
innovative
solutions





Combustion technique and air circulation Stûv 30-compact

- 1 Combustion air.
Illustration with direct air intake under the stove. The outside air intake can also be located at the rear of the stove.
- 2 Combustion.
The air intake, the combustion chamber and smoke exhaust form an airtight system.
- 3 The air is taken into the room then heated by the stove.
- 4 The hot air is exchanged with the convection air which flows along the combustion chamber.
- 5 Hot air is circulated in the room by natural convection.
- 6 The window cleaning system involves an air supply that takes flue gasses away from the glass. This means that you can have flickering flames at all times.



Stûv Stories +Stûv 30–compact H

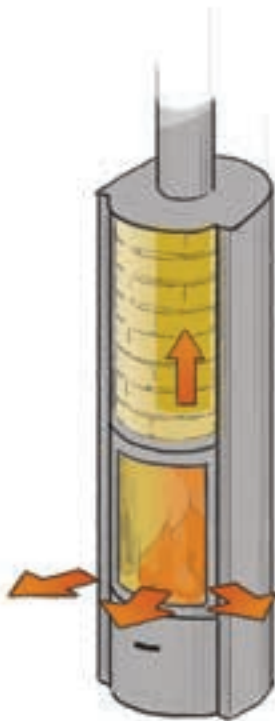
- + Three modes of operation
- + Ability to be connected to the outside air
- + Optional accumulation system
- + Revolving base integrated
- + Option: floor plate

The highest form of accumulation

The Stûv 30–compact H fits perfectly into the Stûv 30 line, the first stove to offer three usage modes. It still remains revolutionary today, with its three doors that rotate to match your mood. The glass calls you to admire the entrancing spectacle of the flames. Without glass, the open fire allows you to enjoy the crackling of the fire which puts out a pleasant heat. Finally, with a closed door, you get gentle heat throughout the house. It's not at all complicated to change usage mode: all you have to do is rotate the door of your choice in front of the stove opening. The Stûv 30–compact H, with its exceptional performance, is also suitable for small-size dwellings.

Stûv Stories +Stûv 30–compact H with heat storage

The Stûv 30–compact H can be equipped with a storage core which stores a portion of the heat. Once the stove goes out, the stored energy continues to disseminate over several hours, therefore extending the feeling of warmth and well-being.



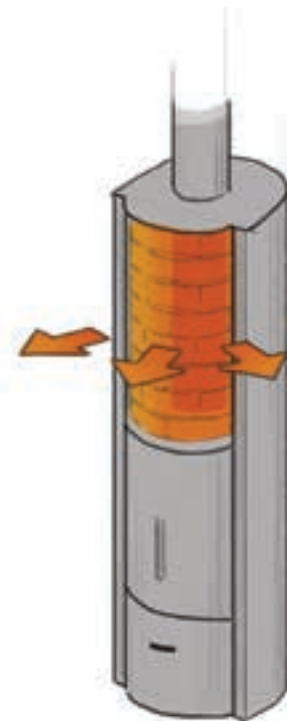
Lighting

Most of the heat is used to heat up the room while some is stored in the accumulator.



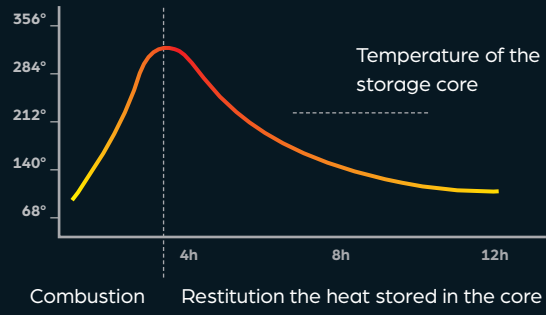
Accumulation

Closed-door mode prevents the diffusion of heat through the glass and channels energy towards the accumulator.



Restitution of the heat

Gradual restitution of the accumulated heat takes place after the fire dies out.



Stûv Stories +Stûv 30

- + Three modes of operation
- + Ability to be connected to the outside air
- + Revolving base standard
- + Option: floor plate

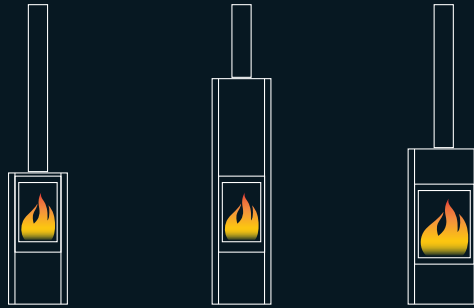
More heat,
more innovation,
more usage options

Timeless and revolutionary all at once

The Stûv 30 was the very first stove to have three modes of use. Even today, it remains a revolutionary innovation with its three doors which revolve according to your wishes. The window is a call to admire the inviting spectacle of the flames. Without the window, the open fire lets you enjoy a crackling fire with a pleasant diffusion of heat. With the door closed, you can enjoy a gentle heat throughout the home. Changing the mode of use is very simple: you just need to turn the door of your choice so that it lines up with the opening of the stove. All that remains is for you to enjoy the moment!



Stûv 30 technical specifications



	30-compact	30-compact H	30*
weight of the unit (+accumulating stones)	251Lb	337Lb (+360Lb)	473Lb
maximum power	31000 BTU	31000 BTU	41000 BTU
length of logs in vertical position	16"	16"	20"
length of logs in horizontal position	10"	10"	13"
air intake diameter	2 1/2"	2 1/2"	2 1/2"
barbecue kit	option	option	option
fire screen	standard	standard	standard
revolving base (*)	standard	standard	standard
3 modes of operation	standard	standard	standard
top smoke outlet	standard	standard	standard
back smoke outlet	-	-	option
airtight combustion air intake	option	option	option
north american standars	EPA Phase II, UL-1482-97, ULC-S627-00		EPA exempt, UL-1482-97, ULC-S627-00



Stûv Stories +Stûv mobile log rack



- + Mobilobox: everything is to hand (matches, maintenance products, barbecue kit, kindling etc.)
- + User-friendly log rack, with simple and sleek lines: an essential accessory for all Stûv stoves.

Stûv Stories +Stûv barbecue

Would you like to feel like you do in the summer all the year round? Now it's possible! Cooking food is healthier with the Stûv barbecue, as it is placed in front of the flames and not above the embers. Kebabs, sausages or fish is cooked in this way by radiation and not likely to get burnt by the drops of grease which flare up when they come in contact with burning charcoal. Installing the grill on the stove is child's play and, so that nothing spoils your pleasure, the chimney draught sucks away all the smells!



The constant search for improvement...

Stûv invests enormously in research and development in its own laboratory and in its partnerships with specialists in the field of combustion. Each detail is important in optimizing the performance of the fire. Stûv appliances meet the most stringent standards in terms of respect for the environment. We give priority to ergonomics and simplicity at all stages – installation, use, maintenance – so that everyone can use their Stûv exactly how they want to. This is the reason we provide detailed installation instructions, select our sales network and organize training sessions for our retail and installation partners.

The Stûv guarantee

- + Stûv fires are renowned for their design and performance. They are also solid, reliable and durable.
- + The fires and their components are made in Europe with the utmost care. A well-maintained Stûv fire is for life.
- + This is why Stûv offers the users of its products an extended guarantee. Three years' guarantee in addition to the legal guarantee.
- + In total, 5 years on the body of the fireplace and 3 years on the other components, excluding wearing parts (see guarantee conditions).

What do you need to do to benefit from this extended guarantee?

Complete the guarantee form that you will find at the end of the user manual and return a hard copy to your authorized dealer.



All Stûv fires are designed to burn wood with a humidity level of less than 20 %. All fireplaces have been tested according to american security and environmental standards.

Credits

design Brigitte Boits

styling EdithVervest

copy JP Nieuwerkerk

communication manager Serge Alhadeff

responsible editor Gérard Pitance

Documents and photos are for information purposes only. Stûv reserves the right to make changes without notice. Every care has been taken in the preparation of this brochure; however, we do not accept any responsibility for any mistakes that it may contain.

Stûv wood fires

Stûv gas fires

+ a state of mind

Stûv fireplaces are designed and manufactured by :

Stûv sa - Belgique
www.stuv.com

In North America :

Stûv America inc.
4747, rue Bourg
Montreal QC H4T 1H9 - Canada
T 514 396 9463 - F 514 528 9538 - toll free 1 866 487 7888
info@stuvamerica.com - www.stuvamerica.com

Distributed by :

MAY 2015

Find us on:



stûv